



Electrolux
PROFESSIONAL

**Modular Cooking Range Line
700XP Two Wells Freestanding
Electric Fryer 15 liter**

ITEM # _____

MODEL # _____

NAME # _____

SIS # _____

AIA # _____



371082 (E7FREH2GF0)

15+15-lt electric Fryer free standing with 2 "V" shape wells (external heating elements), 2 baskets and lids included

Short Form Specification

Item No. _____

To be installed on height adjustable feet in stainless steel. High efficiency infrared heating elements (20kW) attached to the outside of the wells. Deep drawn V-shaped wells. Oil drains through a tap into a container under the well. Exterior panels in stainless steel with Scotch Brite finish. One piece pressed work top in 1.5 mm thick stainless steel. Right-angled side edges to allow flush-fitting junction between units.

Main Features

- Unit to be mounted on height adjustable feet in stainless steel.
- Deep drawn V-Shaped wells.
- High efficiency infrared heating elements are attached to the outside of the wells.
- Thermostatic regulation of oil temperature up to a maximum of 185 °C.
- Overheat protection thermostat as standard on all units.
- Oil drains through a tap into a drainage container positioned under the well.
- All major compartments located in front of unit for ease of maintenance.
- IPx4 water protection.
- Optional portable oil quality monitoring tool (code 9B8081) for efficient oil management.

Construction

- Interior of well with rounded corners for ease of cleaning.
- All exterior panels in Stainless Steel with Scotch Brite finishing.
- One piece pressed 1.5 mm work top in Stainless steel.
- Model has right-angled side edges to allow flush fitting joints between units, eliminating gaps and possible dirt traps.

Sustainability



- This model is compliant with Swiss Energy Efficiency Ordinance (730.02).

Included Accessories

- 2 of Door for open base PNC 206350 cupboard
- 2 of Full size basket for 14 and PNC 921691 15lt free standing fryers

Optional Accessories

- Junction sealing kit PNC 206086
- Flanged feet kit PNC 206136
- Frontal kicking strip for concrete installation, 800mm PNC 206148
- Frontal kicking strip for concrete installation, 1000mm PNC 206150
- Frontal kicking strip for concrete installation, 1200mm PNC 206151
- Frontal kicking strip for concrete installation, 1600mm PNC 206152
- Frontal kicking strip, 800mm PNC 206176 (not for refr-freezer base)
- Frontal kicking strip, 1000mm PNC 206177 (not for refr-freezer base)

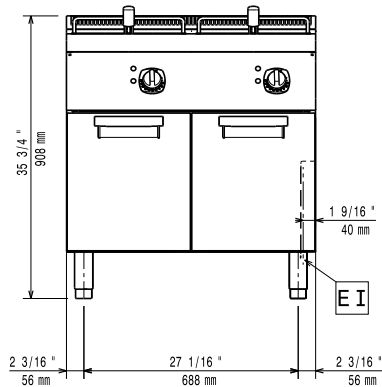
APPROVAL: _____



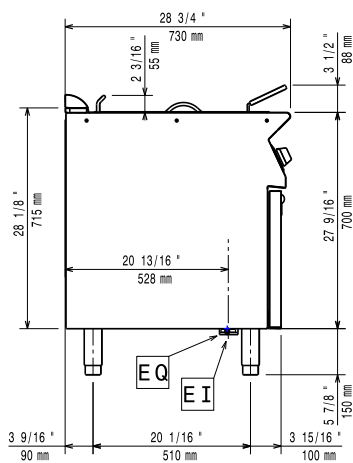
Experience the Excellence
www.electroluxprofessional.com

- Frontal kicking strip, 1200mm (not for refr-freezer base) PNC 206178
- Frontal kicking strip, 1600mm (not for refr-freezer base) PNC 206179
- Kit 4 feet for concrete installation (not for 900 line free standing grill) PNC 206210
- Sediment tray for 15lt fryers PNC 206235
- Pair of side kicking strips PNC 206249
- Pair of side kicking strips for concrete installation PNC 206265
- Oil drain pipe for 15lt free standing fryer PNC 206301
- Chimney upstand, 800mm PNC 206304
- Right and left side handrails PNC 206307
- Back handrail 800 mm PNC 206308
- Door for open base cupboard PNC 206350
- Base support for feet or wheels - 800mm (700/900) PNC 206367
- Base support for feet or wheels - 1200mm (700/900) PNC 206368
- Base support for feet or wheels - 1600mm (700/900) PNC 206369
- Base support for feet or wheels - 2000mm (700/900) PNC 206370
- Rear paneling - 800mm (700/900) PNC 206374
- Rear paneling - 1000mm (700/900) PNC 206375
- Rear paneling - 1200mm (700/900) PNC 206376
- Chimney grid net, 400mm (700XP/900) PNC 206400
- 2 side covering panels for free standing appliances PNC 216000
- Full size basket for 14 and 15lt free standing fryers PNC 921691
- 2 half size baskets for 14 and 15lt fryers PNC 921692
- Filter for fryer oil collection basin for 7lt, 14lt, 15lt free standing fryers PNC 921693
- Unclogging rod for 15lt fryers drainage pipe PNC 921695
- Deflector for floured products for 15lt fryers PNC 921696

Front

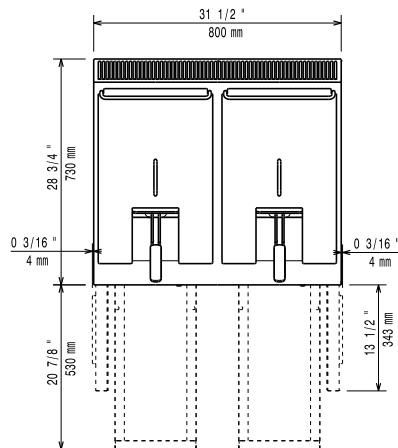


Side



EI = Electrical inlet (power)
EQ = Equipotential screw

Top



Electric

| | |
|------------------|--------------------------|
| Supply voltage: | 380-400 V/3N ph/50-60 Hz |
| Total Watts: | 20 kW |
| Predisposed for: | |

Key Information:

If appliance is set up or next to or against temperature sensitive furniture or similar, a safety gap of approximately 150 mm should be maintained or some form of heat insulation fitted.

| | |
|----------------------------------|------------------------|
| Usable well dimensions (width): | 240 mm |
| Usable well dimensions (height): | 505 mm |
| Usable well dimensions (depth): | 380 mm |
| Well capacity: | 13 lt MIN; 15 lt MAX |
| Thermostat Range: | 105 °C MIN; 185 °C MAX |
| Net weight: | 81 kg |
| Shipping weight: | 89 kg |
| Shipping height: | 1130 mm |
| Shipping width: | 820 mm |
| Shipping depth: | 860 mm |
| Shipping volume: | 0.8 m ³ |
| Certification group: | EFE72M15 |